

# Alta H5A Multisensor Camera

9 MP

12 MP

15 MP

20 MP

24 MP

32 MP

10-YEAR WARRANTY

See around corners, through intersections or across parking lots with a single camera. Arrange three or four sensors for crisp 180, 270 or 360-degree views in any direction, with one install cable. The cloud-native H5A Multisensor for Avigilon Alta Aware combines visibility, image quality and ease of use with zero compromises, so you can secure any area over the cloud.



## Features

### Exceptional Image Quality



Varifocal lenses with up to 8MP resolution provide crisp clear images with the details you need. IR up to 98ft and HDR provide reliable video in all light and weather conditions.

### Easy Installation



The H5A Multisensor is a single cable install with up to 4 unique views, for a plug-and-play camera that is up and running in minutes. Scan the camera QR code to onboard to Aware quickly.

### Open Platform



Integrate the business tools you use day in, day out for extra intelligence. Alta Aware VMS uses an open API architecture, so you can link third-party hardware like cameras, sensors and speakers. The Alta H5A is also ONVIF@ conformant to work with third-party systems.

### Highly Customizable



With 3 or 4 adjustable sensors for up to a 360-degree field of view and a range of mounting options, the H5A provides you the perfect shot, wherever you install it.

### Smarter, Faster Responses



Get alerted in real-time about events in all directions, with AI-powered analytics on each sensor. The H5A works in sync with Alta Aware to notify you of events with people, vehicles and anomalies, to help improve security.

### Reliable and Resilient



IK10, IP66/67, NEMA Type 4X and TS2 ratings protect against impact, water, windblown dust and a degree of corrosion. 10 year warranty and security in the camera and the cloud help ensure your system is protected.

ONVIF is a trademark of Onvif, Inc.

# Specifications

Image Performance		3.0 MP	5.0 MP	4K (8.0 MP)
Image Sensor		1/2.8" CMOS		1/2.8" CMOS
Active Pixels		2048 (H) x 1536 (V) (4:3)	2592 x 1944 (4:3)	3840 x 2160 (16:9)
3 x Image Sensor, Max Resolution		6144 (H) x 1536 (V) (4:3)	7776 x 1944 (4:3)	11520 x 2160 (16:9)
4 x Image Sensor, Max Resolution		8192 (H) x 1536 (V) (4:3)	10368 x 1944 (4:3)	15360 x 2160 (16:9)
Sensor Aspect Ratio		4:3	4:3	16:9
IR Illumination - Optional (high power 850 nm LEDs) <sup>1</sup>		30 m (98 ft) maximum distance at 0 lux when camera is mounted at 4 m (13 ft) off the ground		
Minimum Illumination		0.020 lux (F1.5) in color mode 0.018 lux (F1.5) in mono mode 0 lux with optional IR illuminator		0.020 lux (F1.5) in color mode 0.016 lux (F1.5) in mono mode 0 lux with optional IR illuminator
Dynamic Range	HDR On	120 dB, true HDR, dual exposure		
	HDR Off	80 dB		
3D Noise Reduction Filter		Supported		
Maximum Frame Rate 60 Hz / 50 Hz		30 / 25 fps	24 / 25 fps	17 / 16 fps

<sup>1</sup> The IR intensity is based on supplied PoE power.

Image Control	
Image Compression Method	H.264, Motion JPEG
Electronic Shutter Control	Automatic
Iris Control	Fixed
Day/Night Control	Automatic
Flicker Control	60 Hz, 50 Hz
White Balance	Automatic
Privacy Zones	Up to 64 zones

Lens (per image sensor)	3.0 MP	5.0 MP	4K (8.0 MP)
Focal Length	3.3-5.7 mm		
Lens and Horizontal Field of View Based on Aspect Ratio	53° - 99° (4:3)		58° - 106° (16:9)
Lens and Vertical Field of View Based on Aspect Ratio	39° - 69° (4:3)		32° - 55° (16:9)
Aperture Range	F1.5 - F1.9		
Control	Fixed Iris, Remote Focus and Zoom		

Network	
Network	Gigabit Ethernet, 100BASE-TX, 1000BASE-TX
Cabling Type	CAT5E
Connector	RJ-45
ONVIF <sup>1</sup>	ONVIF® compliance Profile S, T, M, and G ( <a href="http://www.onvif.org">www.onvif.org</a> )
Security	Password protection, HTTPS encryption, signed and encrypted firmware
Protocol	IPv4, HTTP, HTTPS, SOAP, DNS, NTP, RTSP, RTCP, RTP, TCP, UDP, IGMPv3, ICMP, DHCP, Zeroconf, HSTS
Streaming Protocols	WebRTC, RTP/RTSP/UDP, RTP/RTSP/TCP, RTP/RTSP/HTTP/TCP, RTP/RTSP/HTTPS/TCP
Platform Compatibility	Avigilon Alta Aware, Avigilon Unity ACC <sup>1</sup> , 3rd party VMS <sup>1</sup>

<sup>1</sup> Requires the camera to be running Avigilon Unity firmware.

Auxiliary I/O	
Audio Compression Method	G.711 PCM 8 kHz, Opus
Audio Input/Output <sup>1</sup>	Line level input and output
External I/O Terminal <sup>2</sup>	Alarm In, Alarm Out

<sup>1</sup> Audio output is not currently supported.

<sup>2</sup> Not currently supported.

Electrical	In-Ceiling	Surface Mount	Pendant Mount
Power Consumption	26 W with 24 VDC 37 VA with 24 VAC 25.5 W with IEEE 802.3at Type 2 (PoE+)	With IR: 52 W with 24 VDC 74 VA with 24 VAC 51 W with high power PoE (PoE++)  Without IR: 26 W with 24 VDC 37 VA with 24 VAC 25.5 W with IEEE 802.3at Type 2 (PoE+)	With IR: 52 W with 24 VDC 74 VA with 24 VAC 51 W with high power PoE (PoE++)  Without IR: 26 W with 24 VDC 37 VA with 24 VAC 25.5 W with IEEE 802.3at Type 2 (PoE+)
External Power	24 VDC ± 10 %; 24 VAC rms ± 10 %, 50 or 60 Hz		
PoE <sup>1</sup>	30 W IEEE 802.3at Type 2 (PoE+)	With IR: 60 W (PoE++): IEEE 802.3bt Type 3, Cisco® UPoE or legacy high-power PoE* Up to 35% IR Power or without IR: 30 W IEEE 802.3at Type 2 (PoE+)	
Redundant Power	Seamless failover between PoE and Aux and back without interruption in camera operation		

<sup>1</sup> Supported high power PoE products are listed in the **Optional Injectors and Switches** Section and may require adjusting the PoE mode switch. Contact sales or technical support for more information.

Mechanical	In-Ceiling	Surface Mount	Pendant Mount
Dimension	Overall: 298 mm x 161 mm (11.75" x 6.33")  Below mounting surface: 298 mm x 64 mm (11.75" x 2.52")	304 mm x 114 mm (11.95" x 4.48")	With wall arm: 385 mm x 262 mm x 299 mm (15.15" x 10.30" x 11.77")  With NPT adapter: 299 mm x 248 mm (11.77" x 9.76")
Weight	Mount: 1100 g (2.4 lbs) Bezel: 490 g (1.1 lbs) Camera Module (4 lenses): 1590 g (3.5 lbs)	Mount: 950 g (2.1 lbs) Bezel: 1250 g (2.8 lbs) Camera Module (4 lenses): 1590 g (3.5 lbs) Optional IR Illuminator Ring: 670 g (1.5 lbs)	Wall Mount: 1190 g (2.6 lbs) NPT Adapter Mount: 470 g (1.04 lbs) Pendant: 1680 g (3.7 lbs) Bezel: 1250 g (2.8 lbs) Camera Module (4 lenses): 1590 g (3.5 lbs) Optional IR Illuminator Ring: 670 g (1.5 lbs)
Body	Aluminum, Plastic dome trim	Aluminum	Aluminum
Finish	Plastic, Injection Molded, Pantone 427C	Cast, Anodized and Powder Coated, Pantone 427C	Cast, Anodized and Powder Coated, Pantone 427C
Optional IR Illuminator Ring	Not available	Optional accessory, 30 m (98 ft) IR range	

Environmental	In-Ceiling	Surface Mount	Pendant Mount
Operating Temperature	-10 °C to +50 °C (14 °F to 122 °F)	-40 °C to +60 °C (-40 °F to 140 °F)	
Storage Temperature	-30 °C to +70 °C (-22 °F to 158 °F)		
Humidity	0 - 95% non-condensing		
IR Illumination Behavior	Not available	The IR illuminator will operate at 100% power from -40 °C to 44 °C (-40 °F to 111 °F). The IR power will reduce to 60% from 44 °C to 53 °C (111 °F to 127 °F). The IR illuminator will turn off when the temperature is greater than 53 °C (127 °F). Hysteresis: 6 °C (10.8 °F).  For 25.5 W PoE+, the IR illuminator will operate at only 35% power and will turn off if the temperature is below -26 °C (-15 °F).	

Per Sensor	
Tilt	+7° to 96° from horizon
Pan	+/-120° (depending on position of image sensors)
Azimuth	+/-180°

Certifications	In-Ceiling	Surface Mount	Pendant Mount
Certifications/Approvals	UL, cUL, CE, ROHS, RCM, BIS, UKCA, NOM, KC		
Safety Standards	UL 62368-1, CSA 62368-1, IEC/EN 62368-1		
	UL 2043 (Plenum)	IEC/EN 62471	
Environmental Standards/Ratings	IEC 60529 IP5X rating (dust only)	IEC 60529 IP66, IP67 rating IEC/EN 62262 Impact (IK 10) IEC/EN 60068-2-6 Product Vibration IEC/EN 60068-2-27 Product Shock Type 4X	
Electromagnetic Emissions Standards	FCC Part 15 Subpart B (Class A) ICES-003 (Class A) EN 55032 (Class A) EN 61000-3-2 EN 61000-3-3		
Electromagnetic Immunity Standards	EN 55035 EN 61000-6-1 EN 50121-4 EN 50130-4		
NEMA TS2	Not applicable	NEMA TS2 paragraph 2.2.7 - 2.2.9	

Analytic Rules Supported	
Objects in Area	Rule triggered when an object of the selected type and attributes is detected in the region of interest.
Object Loitering	Rule triggered when an object of the selected type and attributes loiters in the selected area for the selected period of time.
Objects Crossing Line	Rule triggered when an object of the selected type and attributes crosses the line. The line can be unidirectional or bidirectional.
Object Counting	Rule triggered when the count of objects of the selected type either exceeds or is less than the selected threshold.
Object Line Crossing Counting	Rule triggered when the specific number of objects of the selected type either cross a line to enter or leave an area.
License Plate Detection	Requires additional license.
Audio <sup>1</sup>	Rule triggered when audio of one of the specified types is detected.

<sup>1</sup> Audio analytics requires the addition of a microphone via the line level input.

Detected Attributes	
Object Attributes	Vehicle, sub-types: Small/Medium Vehicles (sedan, SUV, pickup truck, etc.), Large Vehicles (bus, truck), Two-wheeled Vehicles (bicycle, motorcycle), Unclassified Vehicles
	Person
	Color (people's clothing, top and bottom, and vehicles)
	Face (US only, based on location)

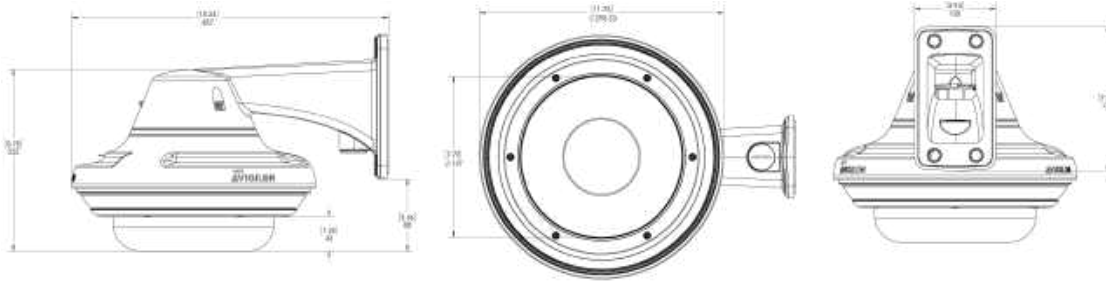
Supported Audio Events <sup>1</sup>	
Audio Events	Glass breaking, Loud Noise, Gun Shot, Screaming, Smoke Alarm, Car Alarm, Ultrasound Panic Alarm, Dog Barking, Tire Screeching

<sup>1</sup> Audio analytics requires the addition of a microphone via the line level input.

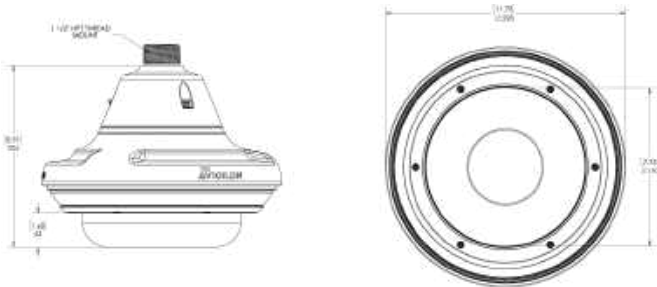
# Outline Dimensions

[X.X]	INCHES
X	MM

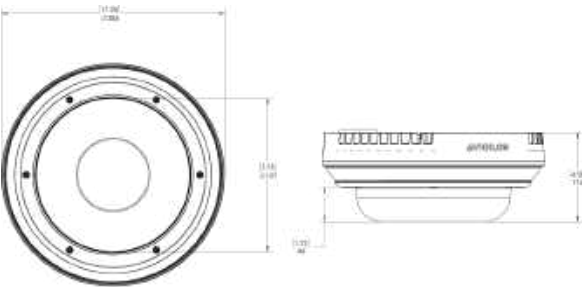
## Pendant Wall Mount



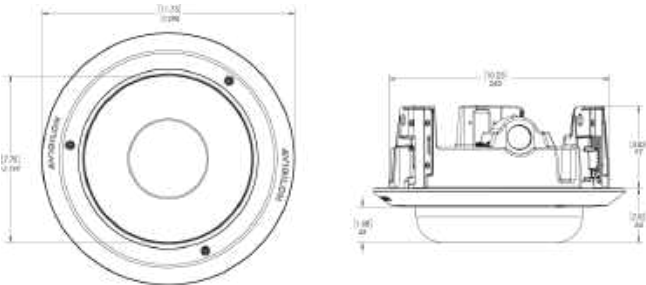
## Pendant NPT Mount



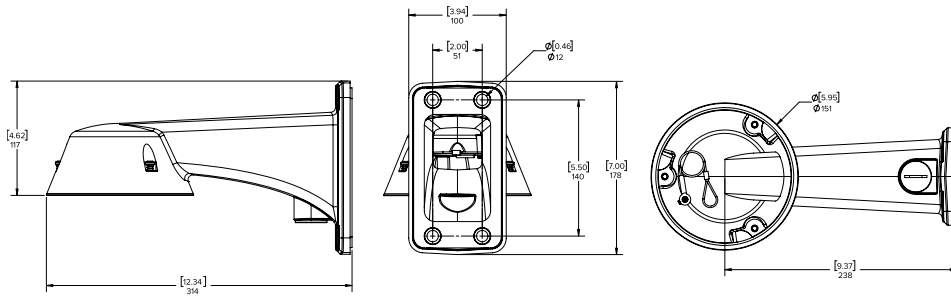
## Surface Mount



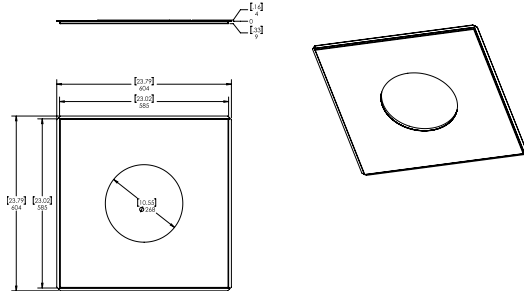
## In-Ceiling Mount



## Wall Mount



## Metal Ceiling Panel



# Ordering Information

The variety of mounting options for the H5A Multisensor provides maximum flexibility. All the available camera modules can be used in any of the mounting options.

Mounting Scenario		Ordering Information
PENDANT WALL MOUNT		Order one of: <ul style="list-style-type: none"> <li>• Camera module</li> <li>• H5AMH-AD-PEND1</li> <li>• H5AMH-DO-COVR1 or H5AMH-DO-COVR1-SMOKE</li> <li>• WLMT-1001</li> <li>• Optional, H4AMH-AD-IRIL1</li> </ul>
PENDANT NPT MOUNT		Order one of: <ul style="list-style-type: none"> <li>• Camera module</li> <li>• H5AMH-AD-PEND1</li> <li>• H5AMH-DO-COVR1 or H5AMH-DO-COVR1-SMOKE</li> <li>• NPTA-1001</li> <li>• Optional, H4AMH-AD-IRIL1</li> </ul>
SURFACE MOUNT		Order one of: <ul style="list-style-type: none"> <li>• Camera module</li> <li>• H5AMH-AD-DOME1</li> <li>• H5AMH-DO-COVR1 or H5AMH-DO-COVR1-SMOKE</li> <li>• Optional, H4AMH-AD-IRIL1</li> </ul>
IN-CEILING MOUNT		Order one of: <ul style="list-style-type: none"> <li>• Camera module</li> <li>• H5AMH-AD-CEIL1</li> <li>• H5AMH-DC-COVR1 or H5AMH-DC-COVR1-SMOKE</li> <li>• Optional, CLPNL-1001 if ceiling panel is needed</li> </ul>

## Camera Modules

With the modular design of the H5A Multisensor, any camera module can be paired with any mounting adapter for maximum versatility and optimal installation. Each camera module must be ordered with a mounting adapter and appropriate dome cover.

Model Number	MP	Lens	Days of Storage
9C-H5A-3MH-30	3X3MP	3.3-5.7 mm	30 Days
9C-H5A-3MH-60	3X3MP	3.3-5.7 mm	60 Days
9C-H5A-3MH-120	3X3MP	3.3-5.7 mm	120 Days
12C-H5A-4MH-30	4X3MP	3.3-5.7 mm	30 Days
12C-H5A-4MH-60	4X3MP	3.3-5.7 mm	60 Days
15C-H5A-3MH-30	3X5MP	3.3-5.7 mm	30 Days
15C-H5A-3MH-60	3X5MP	3.3-5.7 mm	60 Days
15C-H5A-3MH-120	3X5MP	3.3-5.7 mm	120 Days
20C-H5A-4MH-30	4X5MP	3.3-5.7 mm	30 Days
20C-H5A-4MH-60	4X5MP	3.3-5.7 mm	60 Days
24C-H5A-3MH-30	3X8MP	3.3-5.7 mm	30 Days
24C-H5A-3MH-60	3X8MP	3.3-5.7 mm	60 Days
32C-H5A-4MH-30	4X8MP	3.3-5.7 mm	30 Days



## Mounting Adapters and Dome Covers

The H5A Multisensor modular design provides pendant, surface, or in-ceiling mounting adapters and a choice of two dome covers compatible with all the H5A Multisensor camera modules.

Display Part Number	Description
H5AMH-AD-DOME1	Outdoor surface mount adapter, must order either a H5AMH-DO-COVR1 or H5AMH-DO-COVR1-SMOKE.
H5AMH-AD-PEND1	Outdoor pendant mount adapter, must order one of WLMT-1001 or NPTA-1001 and one of H5AMH-DO-COVR1 or H5AMH-DO-COVR1-SMOKE.
H5AMH-AD-CEIL1	In-ceiling adapter, must order either a H5AMH-DC-COVR1 or H5AMH-DC-COVR1-SMOKE.
H5AMH-DO-COVR1	Dome bubble and cover, for outdoor surface mount or pendant mount, clear.
H5AMH-DO-COVR1-SMOKE	Dome bubble and cover, for outdoor surface mount or pendant mount, smoked. Not recommended for low light applications.
H5AMH-DC-COVR1	Dome bubble and cover, for in-ceiling mount, clear.
H5AMH-DC-COVR1-SMOKE	Dome bubble and cover, for in-ceiling mount, smoked. Not recommended for low light applications.
WLMT-1001	Pendant wall arm adapter, for use with H5AMH-AD-PEND1.
NPTA-1001	Pendant NPT adapter for use with H5AMH-AD-PEND1.
PLMT-1001	Aluminum pole mounting bracket, compatible with WLMT-1001.
CRNMT-1001	Aluminum corner mounting bracket, compatible with WLMT-1001.
CLPNL-1001	Metal ceiling panel.

## Optional IR Illuminator

The optional IR Illuminator is available for the H5A Multisensor when mounted in a pendant or surface mount adapter.

Display Part Number	Description
H4AMH-AD-IRIL1	Optional IR illuminator ring, for use with H5AMH-DO-COVR1.

## Optional Injectors

Display Part Number	Description
PD-9001 GR/AT/AC-* -MSI	Indoor single port PoE+ 30W injector with North American power cord. Injector operational temperature range -20 °C to +40 °C (-4 °F to 104 °F).
POE60U-1BTE	Gigabit 802.3bt 60 W PoE Injector, single port.

\*When placing an order, please indicate the required region to ensure that the correct power cord is delivered. The available options are AU (Australia), EU (European Union), and NA (North America).

## Optional Accessories

Display Part Number	Description
CBLKT-1001	Cable kit replacement for Multisensor cameras.

## Support

Learn more and find additional documentation at <https://motr.la/alta-aware-docs> for specific product support.



Oct 2024 | Rev 2

© 2024, Motorola Solutions, Inc. All rights reserved. MOTOROLA, MOTO, MOTOROLA SOLUTIONS, and the Stylized M Logo are trademarks or registered trademarks of Motorola Trademark Holdings, LLC and are used under license.

sales@avigilon.com | [avigilon.com](https://www.avigilon.com)