

# Alta H6SL Camera Line

2 MP

3 MP

5 MP

Up to 10-Year Warranty

Proactively boost safety and security with the analytics-enabled Avigilon H6SL camera line for Alta Aware. Available in a dome or bullet form factor, the cloud-native Alta H6SL line combines versatility and high performance for indoor and outdoor use. With high dynamic range, IR options and up to 5 MP resolution, you get crisp, clear images in even the most challenging lighting conditions. Intelligent analytics with real-time alerts help you react and respond faster to critical events and the cloud-native Alta Aware provides access to video at any time and from any location.



## Features



### React and Respond Faster with AI

Gain security preparedness and act quicker with intelligent analytics that alert you in real-time of critical events. The Alta H6SL notifies you of people, vehicles or anomalies to help you identify potential threats.



### See Clearly in All Light Conditions

With High Dynamic Range, the Alta H6SL Dome can easily handle high-contrast scenes, and IR illumination captures details in low-light conditions so you can see clearly in all environments.



### Trusted and Secure

With North American Avigilon manufacturing you can trust and security in the camera and the cloud, rest assured that your security system is protected.



### Options for Every Deployment

With a variety of storage and resolution configurations and wide and telephoto lens options on the H6SL Bullet, there's a cloud-native Alta H6SL to meet all your deployment needs.



### Suitable for Tough Environments

All H6SL cameras are IK10-rated for impact resistance. All outdoor models are IP66/IP67 and NEMA Type 4X rated for water, windblown dust and a degree of corrosion.



### 24/7 Awareness from Anywhere

Securely access video anywhere with a cloud-native platform that offers easy-to-use viewing and management via a browser or on-the-go visibility from a powerful mobile app.

# Specifications

| Image Performance         |         | 2.0 MP                               | 3.0 MP                               | 5.0 MP                                  |
|---------------------------|---------|--------------------------------------|--------------------------------------|---|
| Image Sensor              |         | 1/2.8" progressive scan CMOS         |                                      |   |
| Imaging Area (H × V)      |         | 5.57 mm × 3.13 mm<br>0.219" × 0.123" | 5.18 mm × 3.89 mm<br>0.204" × 0.153" |   |
| Aspect Ratio              |         | 16:9                                 | 4:3                                  |   |
| Dynamic Range             | HDR Off | 83 dB                                |                                      |   |
|                           | HDR On  | 126 dB                               | 130 dB                               |   |
| 3D Noise Reduction Filter |         | Supported                            |                                      |   |
| Max Frame Rate            |         | 30 fps                               |                                      |   |
| Streaming Resolutions     |         | 1920x1080, 1280x720, 640x360         | 2048x1536, 1280x960, 640x480         | 2592x1944, 1920x1440, 1280x960, 640x480 |

| Lens and IR Illumination                                       |                              | 3.4-10.5 mm<br>(Dome/Bullet)   | 10.9-29 mm<br>(Bullet Only)                          |
|--|------------------------------|--|--|
| IR Illumination<br>Max Distance<br>(high power<br>850 nm LEDs) | Dome                         | 30 m (100 ft), full tele<br>20 m (65 ft), full wide  | N/A  |
|  | Bullet<br>2.0 MP             | 50 m (164 ft), full tele<br>30 m (100 ft), full wide   | N/A  |
|  | Bullet<br>3.0 MP /<br>5.0 MP | 40 m (131 ft), full tele<br>20 m (65 ft), full wide  | 70 m (230 ft), full tele<br>30 m (100 ft), full wide |
| Minimum<br>Illumination<br>(at 33 ms<br>shutter speed)         | 2.0 MP                       | With IR: 0 lux in monochrome mode<br>Without IR: 0.01 lux in color mode;<br>0.005 lux in monochrome mode | N/A  |
|  | 3.0 MP /<br>5.0 MP           | With IR: 0 lux in monochrome mode<br>Without IR: 0.04 lux in color mode;<br>0.02 lux in monochrome mode  |  |
| Horizontal<br>Angle of View                                    | 2.0 MP                       | 101° - 31°   | N/A  |
|  | 3.0 MP /<br>5.0 MP           | 95° - 28°  | 28° - 10°  |
| Vertical<br>Angle of View                                      | 2.0 MP                       | 53° - 17°  | N/A  |
|  | 3.0 MP /<br>5.0 MP           | 69° - 21°  | 21° - 7°   |
| Max Aperture   |                              | F1.6   | F1.7   |
| Lens Control   |                              | Remote Zoom and Focus, Autofocus, IR Cut Filter  |  |

| Image Control              |   |
|----------------------------|---|
| Image Compression Method   | H.264, Motion JPEG                          |
| Electronic Shutter Control | Automatic                                   |
| Day/Night Control          | Automatic                                   |
| Flicker Control            | 50 Hz, 60 Hz                                |
| Iris Control               | P-Iris                                      |
| White Balance              | Automatic                                   |
| Image Rotation             | 0°, 90°, 180°, 270° including Corridor Mode |
| Privacy Zones              | Up to 64 zones                              |

| Network                |   |
|------------------------|---|
| Network                | 100BASE-TX  |
| Cabling Type           | CAT5  |
| Network                | RJ45 Connector  |
| ONVIF <sup>1</sup>     | ONVIF® compliance Profile S, Profile T, Profile G, and Profile M ( <a href="http://www.onvif.org">www.onvif.org</a> ) |
| Security               | Password protection, HTTPS encryption   |
| Protocols              | IPv6, IPv4, HTTP, HTTPS, SOAP, DNS, NTP, RTSP, RTCP, RTP, TCP, UDP, IGMP, ICMP, DHCP, ARP, HSTS                       |
| Streaming Protocols    | WebRTC, RTP/RTSP/UDP, RTP/RTSP/TCP, RTP/RTSP/HTTP/TCP, RTP/RTSP/HTTPS/TCP   |
| Platform Compatibility | Avigilon Alta Aware, Avigilon Unity ACC <sup>1</sup> , 3rd party VMS <sup>1</sup>                                     |

<sup>1</sup> Requires the camera to be running Avigilon Unity firmware.

| Auxiliary I/O                       |   |
|-------------------------------------|---|
| Audio Compression Method            | G.711 PCM 8 kHz, Opus   |
| Audio Input/Output <sup>1</sup>     | Line level I/O  |
| External I/O Terminals <sup>2</sup> | Alarm In, Alarm Out   |
| Microphone (Indoor Dome)            | Optional Microphone accessory sold separately for Indoor Dome Camera only |

<sup>1</sup> Audio output is not currently supported.

<sup>2</sup> Not currently supported.

| Mechanical (Dome)      | Surface Mount  | In-Ceiling Mount                        | Pendant Mount                           |
|------------------------|--|---|---|
| Dimensions             | D 156 mm × H 116 mm;<br>D 6.1" × H 4.6"                                    | D 174 mm × H 165 mm;<br>D 6.9" × H 6.5" | D 156 mm × H 161 mm;<br>D 6.2" × H 6.3" |
| Weight                 | 0.81 kg  | 0.80 kg                                 | 1.07 kg                                 |
| Max. Ceiling Thickness | N/A  | 25 mm (1.0")                            | N/A                                     |
| Dome Bubble            | Polycarbonate  |   |   |
| Body                   | Polycarbonate  |   |   |
| Housing                | Polycarbonate  |   |   |
| Finish                 | Plastic, injection molded, Pantone 427C                                    |   |   |
| Adjustment Range       | 360° pan, 30°-95° tilt (recommended), 8°-95° tilt (maximum), ±180° azimuth |   |   |

| Mechanical (Bullet)    |                          | 3.4-10.5 mm and 10.9-29 mm                       |
|------------------------|--------------------------|--|
| Dimensions (L x W x H) | Camera with junction box | 296 mm × 126 mm × 106 mm;<br>11.7" × 5.0" × 4.2" |
| Weight                 |                          | 1.31 kg (1.78 kg with junction box)              |
| Body                   |                          | Aluminum   |
| Housing                |                          | Aluminum   |
| Finish                 |                          | Powder coat, close to Pantone 427C               |
| Adjustment Range       |                          | ±175° pan, ±90° tilt, ±175° azimuth              |

| Electrical               |   |   |
|--------------------------|---|---|
| Power Source             | PoE: IEEE 802.3af Class 3 compliant, 12VDC Aux (Available on Bullet only) |   |
| IR Illuminator Behaviour | Dome  | IR illuminator will turn off if the temperature is 60°C (140°F) or higher. The illuminator will operate at 50% power if the temperature is between 40°C (104°F) and 52 °C (117°F). Hysteresis: 2°C (3.6°F). |
|                          | Bullet  | IR illuminator will turn off if the temperature is 60°C (140°F) or higher.  |
| RTC Battery Backup       | 3V manganese lithium  |   |
| PoE                      | Dome  | 10 W max (8 W with no IR or IR disabled)  |
|                          | Bullet  | 13 W max  |
| Memory                   | 1GB RAM, 512MB Flash  |   |

| Environmental                | Indoor Dome  | Outdoor Dome                    | Bullet                          |
|------------------------------|--|---------------------------------|---------------------------------|
| Operating Temperature        | -10°C to +60°C (14°F to 140°F)                           | -40°C to +60°C (-40°F to 140°F) | -40°C to +60°C (-40°F to 140°F) |
| Storage Temperature          | -10°C to +70°C (14°F to 158°F)                           |                                 |                                 |
| Absolute Maximum Temperature | 74°C (165°F) per NEMA TS2 (Temp.) para 2.2.7.2 - 2.2.7.7 |                                 |                                 |
| Humidity                     | 0 - 95% non-condensing                                   |                                 |                                 |

| Certifications            | Indoor Dome  | Outdoor Dome  | Bullet  |
|---------------------------|--|---|---|
| Certifications/Approvals  | UL, cUL, CE, UKCA, ROHS, RCM, NOM, KC, BIS   |   |   |
| Safety                    | UL/CSA/EN/IEC 62368-1, IEC 62471   |   |   |
| Environmental             | IEC/EN 62262 Impact (IK 10), IEC 60529 IP52 rating   | IEC/EN 62262 (IK 10), IEC 60529 IP66, IP67 rating, Type 4X, IEC 60068-2-1, IEC 60068-2-2, IEC 60068-2-6, IEC 60068-2-14, IEC 60068-2-27 | IEC/EN 62262 (IK 10), IEC 60529 IP66, IP67 rating, Type 4X, IEC 60068-2-1, IEC 60068-2-2, IEC 60068-2-6, IEC 60068-2-14, IEC 60068-2-27 |
| Electromagnetic Emissions | FCC Part 15 Subpart B (Class B), IC ICES-003 (Class B), EN 55032 (Class B), EN 61000-6-3, EN 61000-3-2, EN 61000-3-3 |   |   |
| Electromagnetic Immunity  | EN 55035, EN 61000-6-1, EN 50130-4, EN 50121-4   |   |   |
| Warranty                  | Up to 10-year warranty with Active Aware License.  |   |   |

# Analytics Specifications

| Analytic Rules Supported      |  |
|-------------------------------|--|
| Object in Area                | Rule triggered when an object of the selected type and attributes is detected in the region of interest.                             |
| Object Loitering              | Rule triggered when an object of the selected type and attributes loiters in the selected area for the selected period of time.      |
| Objects Crossing Line         | Rule triggered when an object of the selected type and attributes crosses the line. The line can be unidirectional or bidirectional. |
| Object Counting               | Rule triggered when the count of objects of the selected type either exceeds or is less than the selected threshold.                 |
| Object Line Crossing Counting | Rule triggered when the specific number of objects of the selected type either cross a line to enter or leave an area.               |
| License Plate Detection       | Requires additional license.   |
| Audio <sup>1</sup>            | Rule triggered when audio of one of the specified types is detected.   |

<sup>1</sup> Audio analytics require the addition of a microphone.

The Avigilon microphone accessory (ACMICR-1001, for indoor domes only) or an external microphone, connected via line-in, can be used.

| Detected Attributes |  |
|---------------------|--|
| Object Attributes   | Vehicle, sub-types: Small/Medium Vehicles (sedan, SUV, pickup truck, etc.), Large Vehicles (bus, truck), Two-wheeled Vehicles (bicycle, motorcycle), Unclassified Vehicles<br>Person<br>Color (people's clothing, top and bottom, and vehicles)<br>Face (US only, based on location) |

| Supported Audio Events <sup>1</sup> |   |
|-------------------------------------|---|
| Audio Events                        | Glass breaking, Loud Noise, Gun Shot, Screaming, Smoke Alarm, Car Alarm, Ultrasound Panic Alarm, Dog Barking, Tire Screeching |

<sup>1</sup> Audio analytics require the addition of a microphone.

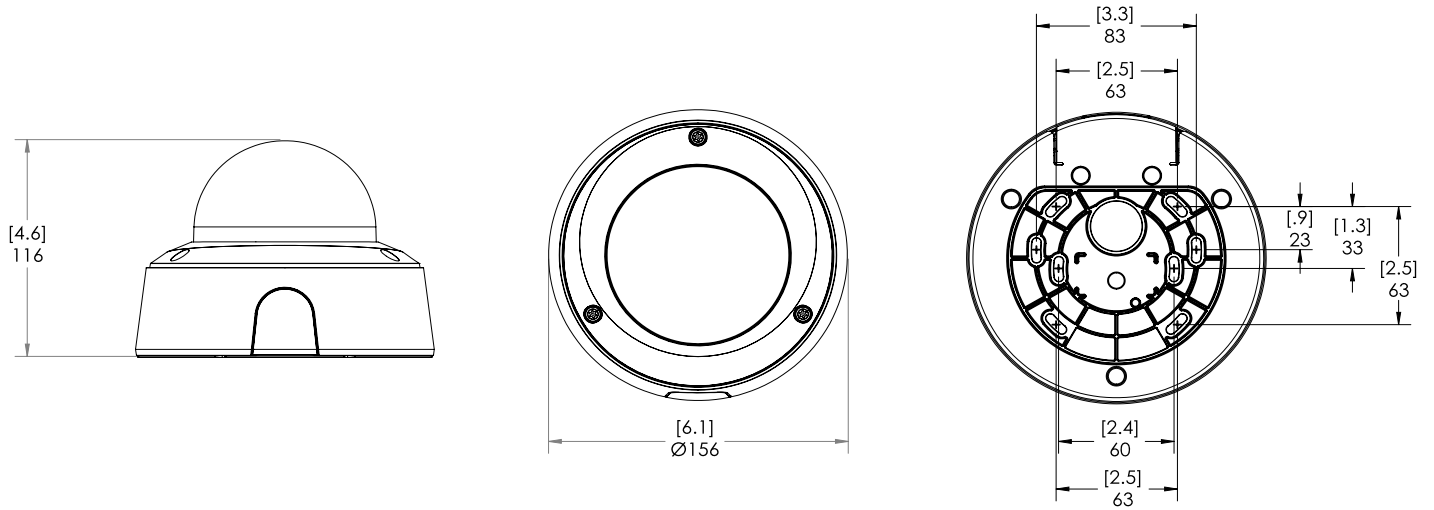
The Avigilon microphone accessory (ACMICR-1001, for indoor domes only) or an external microphone, connected via line-in, can be used.

# Outline Dimensions

| [X.X] | INCHES |
|-------|--------|
| X     | MM     |

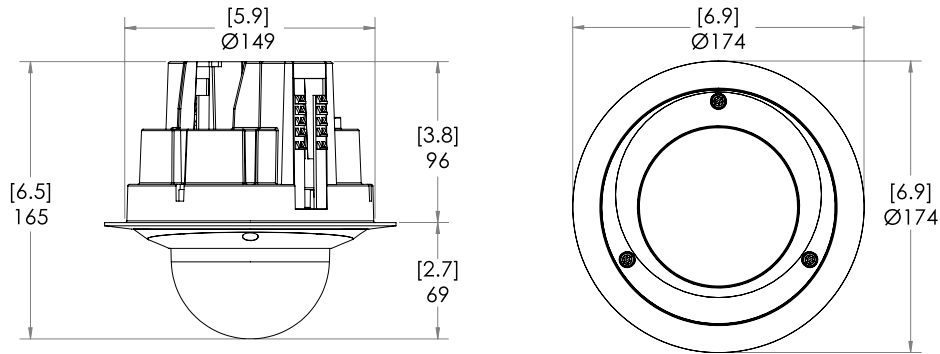
## Dome Camera with Surface Mount

(H6SL Dome Camera + Provided Surface Mount)



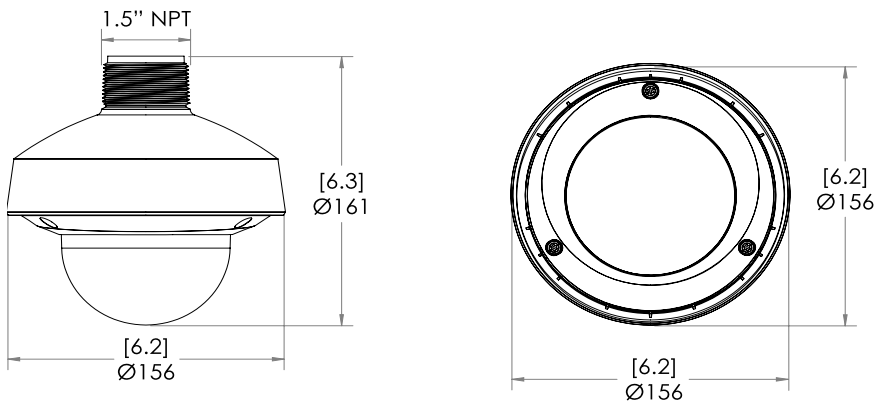
## Dome Camera with In-ceiling Mount

(H6SL Dome Camera + SLSPCIL-1001)



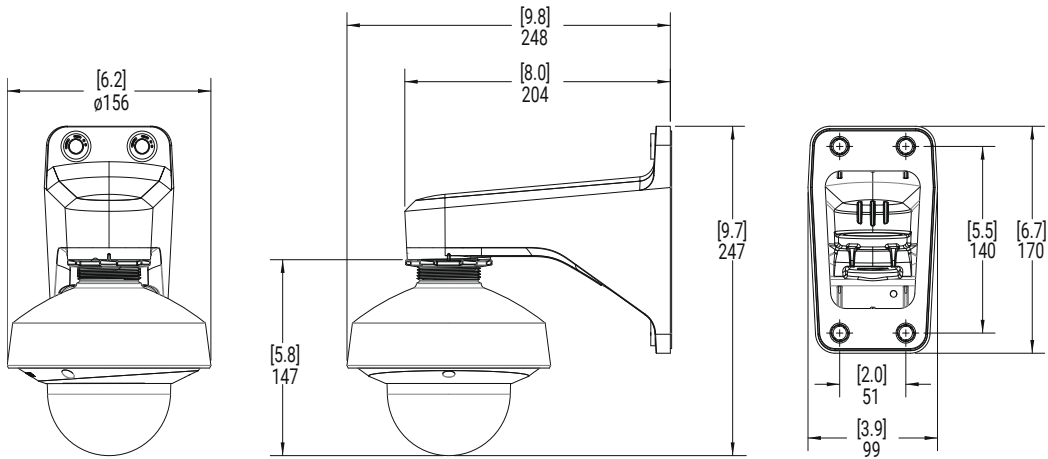
## Dome Camera with NPT Adapter

(H6SL Dome Camera + H6SL-MT-NPTA1)

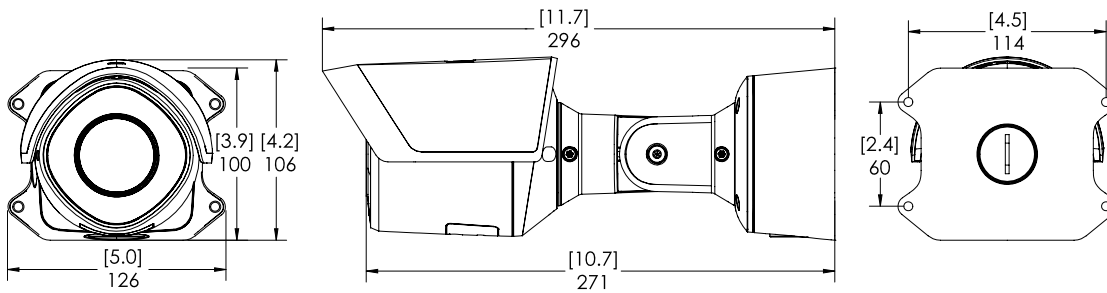


## Dome Camera with NPT Adapter and Pendant Wall Mount

(H6SL Dome Camera + H6SL-MT-NPTA1 + WLMT-1021)

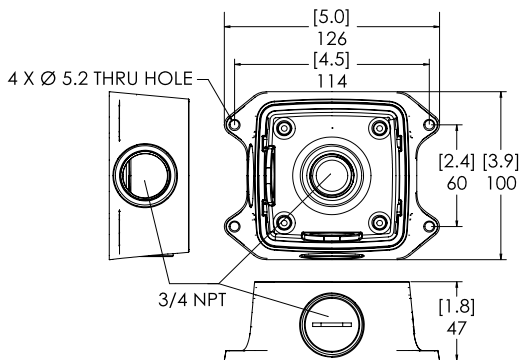


## Bullet Camera



## Bullet Junction Box

(Provided With Camera)



# Ordering Information

## Dome Camera

| Model Number         | MP  | Lens        | IR | IP66/IP67,<br>Type4x | Days of Storage |
|----------------------|-----|-------------|----|----------------------|-----------------|
| 2.0C-H6SL-D1-30      | 2.0 | 3.4-10.5 mm |    |                      | 30 Days         |
| 2.0C-H6SL-D1-60      | 2.0 | 3.4-10.5 mm |    |                      | 60 Days         |
| 2.0C-H6SL-D1-120     | 2.0 | 3.4-10.5 mm |    |                      | 120 Days        |
| 2.0C-H6SL-D1-365     | 2.0 | 3.4-10.5 mm |    |                      | 365 Days        |
| 2.0C-H6SL-D1-IR-30   | 2.0 | 3.4-10.5 mm | ✓  |                      | 30 Days         |
| 2.0C-H6SL-D1-IR-60   | 2.0 | 3.4-10.5 mm | ✓  |                      | 60 Days         |
| 2.0C-H6SL-D1-IR-120  | 2.0 | 3.4-10.5 mm | ✓  |                      | 120 Days        |
| 2.0C-H6SL-D1-IR-365  | 2.0 | 3.4-10.5 mm | ✓  |                      | 365 Days        |
| 2.0C-H6SL-DO1-IR-30  | 2.0 | 3.4-10.5 mm | ✓  | ✓                    | 30 Days         |
| 2.0C-H6SL-DO1-IR-60  | 2.0 | 3.4-10.5 mm | ✓  | ✓                    | 60 Days         |
| 2.0C-H6SL-DO1-IR-120 | 2.0 | 3.4-10.5 mm | ✓  | ✓                    | 120 Days        |
| 2.0C-H6SL-DO1-IR-365 | 2.0 | 3.4-10.5 mm | ✓  | ✓                    | 365 Days        |
| 3.0C-H6SL-D1-30      | 3.0 | 3.4-10.5 mm |    |                      | 30 Days         |
| 3.0C-H6SL-D1-60      | 3.0 | 3.4-10.5 mm |    |                      | 60 Days         |
| 3.0C-H6SL-D1-120     | 3.0 | 3.4-10.5 mm |    |                      | 120 Days        |
| 3.0C-H6SL-D1-IR-30   | 3.0 | 3.4-10.5 mm | ✓  |                      | 30 Days         |
| 3.0C-H6SL-D1-IR-60   | 3.0 | 3.4-10.5 mm | ✓  |                      | 60 Days         |
| 3.0C-H6SL-D1-IR-120  | 3.0 | 3.4-10.5 mm | ✓  |                      | 120 Days        |
| 3.0C-H6SL-DO1-IR-30  | 3.0 | 3.4-10.5 mm | ✓  | ✓                    | 30 Days         |
| 3.0C-H6SL-DO1-IR-60  | 3.0 | 3.4-10.5 mm | ✓  | ✓                    | 60 Days         |
| 3.0C-H6SL-DO1-IR-120 | 3.0 | 3.4-10.5 mm | ✓  | ✓                    | 120 Days        |
| 5.0C-H6SL-D1-30      | 5.0 | 3.4-10.5 mm |    |                      | 30 Days         |
| 5.0C-H6SL-D1-60      | 5.0 | 3.4-10.5 mm |    |                      | 60 Days         |
| 5.0C-H6SL-D1-120     | 5.0 | 3.4-10.5 mm |    |                      | 120 Days        |
| 5.0C-H6SL-D1-IR-30   | 5.0 | 3.4-10.5 mm | ✓  |                      | 30 Days         |
| 5.0C-H6SL-D1-IR-60   | 5.0 | 3.4-10.5 mm | ✓  |                      | 60 Days         |
| 5.0C-H6SL-D1-IR-120  | 5.0 | 3.4-10.5 mm | ✓  |                      | 120 Days        |
| 5.0C-H6SL-DO1-IR-30  | 5.0 | 3.4-10.5 mm | ✓  | ✓                    | 30 Days         |
| 5.0C-H6SL-DO1-IR-60  | 5.0 | 3.4-10.5 mm | ✓  | ✓                    | 60 Days         |
| 5.0C-H6SL-DO1-IR-120 | 5.0 | 3.4-10.5 mm | ✓  | ✓                    | 120 Days        |



## Bullet Camera

| Model Number         | MP  | Lens        | IR | IP66/IP67, Type4x | Days of Storage |
|----------------------|-----|-------------|----|-------------------|-----------------|
| 2.0C-H6SL-BO1-IR-30  | 2.0 | 3.4-10.5 mm | ✓  | ✓                 | 30 Days         |
| 2.0C-H6SL-BO1-IR-60  | 2.0 | 3.4-10.5 mm | ✓  | ✓                 | 60 Days         |
| 2.0C-H6SL-BO1-IR-120 | 2.0 | 3.4-10.5 mm | ✓  | ✓                 | 120 Days        |
| 2.0C-H6SL-BO1-IR-365 | 2.0 | 3.4-10.5 mm | ✓  | ✓                 | 365 Days        |
| 3.0C-H6SL-BO1-IR-30  | 3.0 | 3.4-10.5 mm | ✓  | ✓                 | 30 Days         |
| 3.0C-H6SL-BO1-IR-60  | 3.0 | 3.4-10.5 mm | ✓  | ✓                 | 60 Days         |
| 3.0C-H6SL-BO1-IR-120 | 3.0 | 3.4-10.5 mm | ✓  | ✓                 | 120 Days        |
| 3.0C-H6SL-BO2-IR-30  | 3.0 | 10.9-29 mm  | ✓  | ✓                 | 30 Days         |
| 3.0C-H6SL-BO2-IR-60  | 3.0 | 10.9-29 mm  | ✓  | ✓                 | 60 Days         |
| 3.0C-H6SL-BO2-IR-120 | 3.0 | 10.9-29 mm  | ✓  | ✓                 | 120 Days        |
| 5.0C-H6SL-BO1-IR-30  | 5.0 | 3.4-10.5 mm | ✓  | ✓                 | 30 Days         |
| 5.0C-H6SL-BO1-IR-60  | 5.0 | 3.4-10.5 mm | ✓  | ✓                 | 60 Days         |
| 5.0C-H6SL-BO1-IR-120 | 5.0 | 3.4-10.5 mm | ✓  | ✓                 | 120 Days        |
| 5.0C-H6SL-BO2-IR-30  | 5.0 | 10.9-29 mm  | ✓  | ✓                 | 30 Days         |
| 5.0C-H6SL-BO2-IR-60  | 5.0 | 10.9-29 mm  | ✓  | ✓                 | 60 Days         |
| 5.0C-H6SL-BO2-IR-120 | 5.0 | 10.9-29 mm  | ✓  | ✓                 | 120 Days        |

## Accessories

| Part Number   | Description   |
|---------------|---|
| WLMT-1021     | Wall Mount Arm for 1.5" NPT Pendant                     |
| PLMT-1001     | Pole Mount Adapter for WLMT-1021 and H6SL Bullet Camera |
| CRNMT-1001    | Corner Mount for WLMT-1021 and H6SL Bullet Camera       |
| SLSPCIL-1001  | In-ceiling mounting adapter for H6SL Dome Camera        |
| H6SL-MT-NPTA1 | Pendant NPT adapter for H6SL Dome Camera                |
| DCLPNL-1001   | Metal ceiling panel for suspended ceiling installations |
| H6SL-DO-SHLD1 | Weathershield for H6SL Dome Camera                      |
| ACMICR-1001   | Microphone accessory for Indoor H6SL Dome Camera        |
| H6SL-DD-CLER1 | Clear lower dome for H6SL Outdoor Dome Camera           |
| H6SL-DD-SMOK1 | Smoked lower dome for H6SL Outdoor Dome Camera          |
| H6SL-DI-CLER1 | Clear lower dome for H6SL Indoor Dome Camera            |
| H6SL-DI-SMOK1 | Smoked lower dome for H6SL Indoor Dome Camera           |
| CNCVR-1001    | Adapter 3/4 inch conduit for H6SL Dome Camera, 5-pack   |

Learn more and find additional documentation at <https://aware.docs.altavigilon.com/Home.htm> for specific product support.



May 2024 | Rev 4

© 2024, Motorola Solutions, Inc. All rights reserved. MOTOROLA, MOTO, MOTOROLA SOLUTIONS, and the Stylized M Logo are trademarks or registered trademarks of Motorola Trademark Holdings, LLC and are used under license.

sales@avigilon.com | [avigilon.com](https://www.avigilon.com)