

# AVIGILON™ AVA FLEX CAMERA

## Avigilon Alta Cloud Security



The wireless Avigilon Ava Flex Camera for Alta Aware packs powerful audio and video analytics, sensor insights and smart security tools into a compact form factor. The indoor Flex Camera offers easy wireless setup, flexible mounting options and on-camera storage and processing, making it easy to install almost anywhere. The Avigilon Ava Flex Camera provides a low barrier to entry for cloud-native security, making it an ideal fit for small businesses and organizations with distributed sites.



Fixed lens camera with color night vision



Wi-Fi and PoE for flexible deployment



Versatile, lightweight, and fit for discreet indoor installations



Built-in AI video and audio analytics and on-device storage



Insights from integrated environmental sensors



Factory-installed certificates backed by a trusted platform module (TPM)



Simple to install and onboard with QR code scanning



NDA-Compliant: designed and developed in Norway and the UK, manufactured in Taiwan



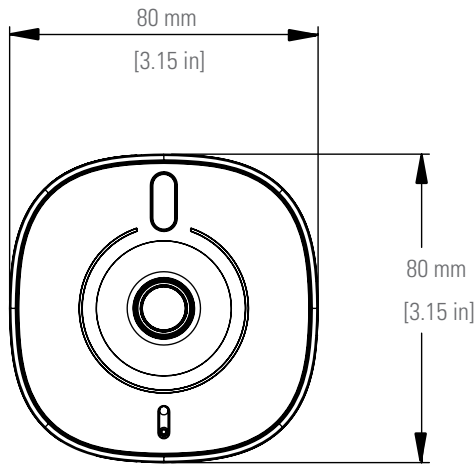
## FEATURES

<b>IMAGE SENSOR</b>	<b>SECURITY</b>	<b>ADJUSTMENT RANGE</b>
2MP	Trusted Platform Module (TPM 2.0)	Pan
<b>IMAGE SENSOR SIZE FORMAT</b>	Factory installed certificates	Tilt
1/2.7"	No default passwords	Roll
<b>LENS</b>	Mandatory access authentication	
<b>Focal length:</b> 3.3 mm	HTTPS/TLS encryption	<b>TEMPERATURE</b>
<b>Aperture:</b> f/1.1	<b>ONVIF</b>	<b>Operating:</b> 0°C to +40°C
Fixed focus	ONVIF® compliance Profile S. Requires the camera to be set to ONVIF Mode. ( <a href="http://www.onvif.org">www.onvif.org</a> )	<b>Storage:</b> -40°C to +60°C
<b>NIGHT VISION</b>	<b>NETWORK PROTOCOLS</b>	<b>PHYSICAL CHARACTERISTICS</b>
Color night vision	IPv4, HTTPS, TLS, DNS, mDNS, DNS-SD, NTP, RTSP, RTP, RTCP, ICMP, DHCP, ARP	<b>Dimensions:</b> With Ball joint mount: 80 x 80 x 96 mm, 202 g
Adaptive white light	<b>Streaming:</b> RTP/UDP, RTP/RTSP/HTTPS/TCP	<b>Camera:</b> 80 x 80 x 38 mm, 142 g
<b>MINIMUM ILLUMINATION IN COLOR MODE</b>	<b>POWER SOURCE</b>	<b>EMC</b>
<0.1lux	PoE 802.3af or USB-C 1.5A	EN 55032
<b>FIELD OF VIEW</b>	<b>POWER CONSUMPTION</b>	2014/53/EU
110° horizontal	<b>Typical:</b> 3.5W	BS EN 55032
58° vertical	<b>Max:</b> 6W	SI 2017/1206
<b>MAXIMUM RESOLUTION &amp; FRAME RATE</b>	<b>STORAGE</b>	AS/NZS CISPR 32
1920x1080, 30fps	MicroSD	FCC Part 15B
<b>DYNAMIC RANGE</b>	SDXC High Speed	ICES-003 Issue 6
Multi-exposure line-based HDR	<b>CONNECTION</b>	<b>SAFETY</b>
<b>VIDEO COMPRESSION</b>	802.3u 10/100 Ethernet	EN 62368
H.264	USB-C for preview and setup	UL 62368
Motion JPEG	<b>WIRELESS CONNECTION</b>	LVD
<b>AUDIO</b>	Wi-Fi 5 (IEEE 802.11a/b/g/n/ac)	<b>WARRANTY</b>
Microphone	Bluetooth 5.0	10-year warranty with Alta Aware license or 3-year warranty without
Audio classification	<b>INSTALLATION AID</b>	
<b>TEMPERATURE</b>	Suitable for ceiling and wall mount screws and wall plugs included ¼"-20	
Typical Accuracy ±2.5°C (±4.5°F)	UNC Standardized camera mount thread	
<b>RELATIVE HUMIDITY</b>	Compatible with Ava Drop Ceiling Mount	
Typical Accuracy ±5%		

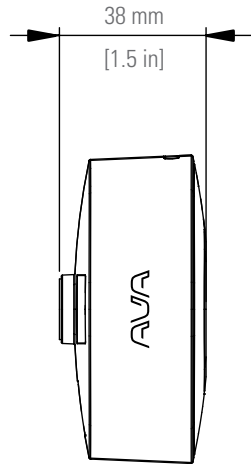
# TECHNICAL DRAWINGS

## Camera Housing

Front view

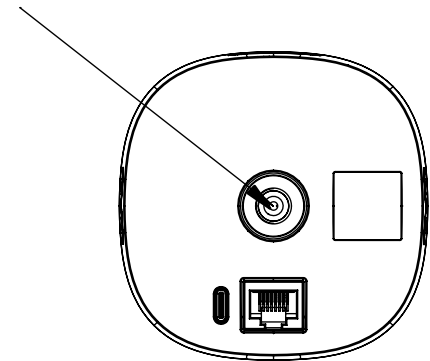


Side view



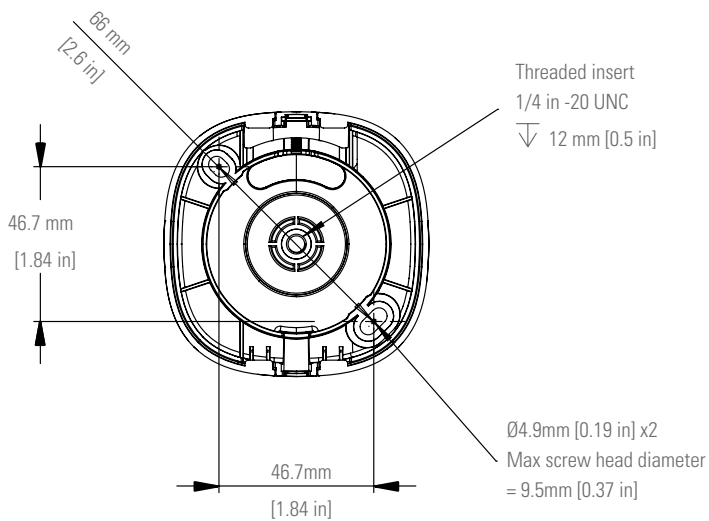
Rear view

Threaded insert  
1/4 in -20 UNC  $\nabla$  5 mm [0.23 in]



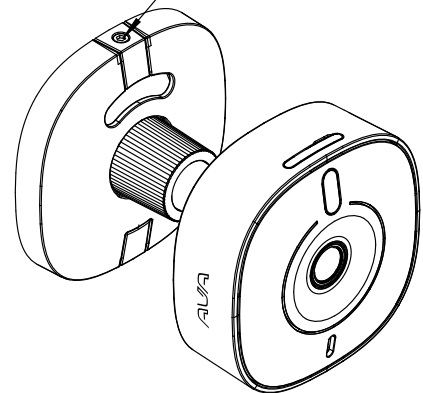
## Ball Joint Mount

Rear view

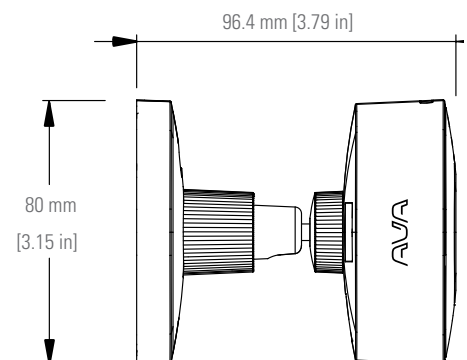


Front view

Lock screw  
Drive type Hex 2.5mm



Side view



# ORDERING INFORMATION

## AVIGILON AVA FLEX

PRODUCT ID	RETENTION	COLOR	DEPLOYMENT
FLEX-2MP-7	7 days*	White	Alta Aware Cloud

\*30 days cloud storage

## ACCESSORIES

PRODUCT ID	PRODUCT NAME	COLOR
ACC-DRO-CEI	Avigilon Ava Drop Ceiling Mount	N/A
ACC-POE-15W-US ACC-POE-15W-UK ACC-POE-15W-EU	Avigilon Ava PoE Injector 15W	Black

To learn more, visit:  
[www.avigilon.com](http://www.avigilon.com)



Motorola Solutions, Inc. 500 West Monroe Street, Chicago, IL 60661 U.S.A. [motorolasolutions.com](http://motorolasolutions.com)

© 2023, Avigilon Corporation. All rights reserved. MOTOROLA, MOTO, MOTOROLA SOLUTIONS and the Stylized M Logo are trademarks or registered trademarks of Motorola Trademark Holdings, LLC and are used under license. All other trademarks are the property of their respective owners. 12-2023 [H003]