

AVIGILON™

Video Intercom Reader Pro

Expandable access control for the modern workplace



The Avigilon Video Intercom Reader Pro combines video security, an intelligent intercom, and Smart Reader into a single device with a modern, mullion form factor. Designed to enhance security with visibility, and improve the visitor experience, the Video Intercom Reader Pro is ideal for public and main entrances. Guests can use the intercom to initiate calls, communicate with assigned users, and are visually verified in the Avigilon Alta Open app. Associate video footage with access events, and monitor entries in the Avigilon Alta Control Center. The Video Intercom Reader Pro is a multi-technology reader that supports both low (125 kHz) and high (13.56 MHz) frequency RFID credentials.



Smart intercom

Using the intelligent voice interface, visitors can initiate calls by user name, or ask to speak to a receptionist. Generate a virtual directory, accessible via a QR code, to enable visitors to view the building directory through a mobile browser.



Seamless provisioning

Integrations with identity service providers, like Okta, Microsoft Active Directory and Google, to streamline end-user roll out when used with mobile credential provisioning. Supports remote unlocking with user-level privileges.



Clear calls

Two-way audio streaming, with live video and echo and noise cancellation lets users easily communicate with and visually verify guests at the doors.



Fast, reliable mobile access

Patented Triple Unlock with Bluetooth, WiFi and cellular data ensures reliable unlocks, with mobile credential options like Wave to Unlock, and mobile or watch app.



Increase visibility, improve security

Associate video with access events or alerts and monitor entries from the Avigilon Alta Access app or Control Center to validate activity. Reader height and adjustable camera angle ensures optimal view of person entering.



Secure and fail safe

Tamper-resistant design, with a built-in accelerometer to alert on physical tampering events. The reader features encrypted end-to-end communication and strong public-key cryptography to keep everything protected.



Easy management and monitoring

Software runs in the cloud for easy, secure access and remote monitoring, without the need for local servers. Built-in diagnostics and real-time troubleshooting insights streamline management.

Microsoft is a trademark of the Microsoft group of companies.

Specifications

MODEL: OP-VID-PRO-INT		
Camera	Camera Resolution	5MP (2592 x 1944)
	Recording Rate	25 fps
	Privacy Areas and Regions of Interest	Yes
	Video Compression	H.264, MJPEG
	Night Mode	Infrared light for night vision IR range: 9m (29.53ft)
	Field of View	Horizontal: 109°; Vertical: 81°; Diagonal: 136°
	Image Sensor	1/2.5" 5MP CMOS
	Bit Rate	CBR, VBR, MBR
	Min. Illumination	Color: 2.5 lux B/W: 0.0 lux (IR LED on)
	Focal Length	2.8mm (F1.6)
	Anti-overexposure	Yes
	Wide Dynamic Range	HDR (87dB)
	Audio	Speaker
Microphone		Two built-in microphones
Noise Cancellation		Yes
Audio Encoding		G.711u, G.711a, G.726
Intercom	Call Routing*	Direct Connect: Visitors call users by stating their name Front Desk Connect: Visitors call a group of users designated as the Front Desk Unit Connect: Visitors call one or more users by stating the unit or apartment number Visual Voicemail: Visitors may leave a voicemail to be seen by a site administrator
	Virtual Directory	Print QR codes for visitors to access a directory on their mobile phone
	Motion Detection	Detects activity and starts recording
	Onboard Video Storage	10GB eMMC for network failover recording
	Cloud Video Storage	30, 60, 90, and 180 day plans available
	SIP Mode	SIP-enabled and Voice over IP (VoIP) calling on legacy systems
Other	QR Code Support**	Capable of reading and forwarding QR codes to third-party systems

*Includes free licenses for 5 unique call recipients in an organization. Voice assistant license packs for 50, 100, and 500 call recipients may be purchased in Alta Control Center Administration.

**Enterprise or Premium subscription is required.



COMPATIBILITY

Mobile Credential	Bluetooth LE NFC (Android only) Wave to Unlock
	Supported on iOS and Android™ compatible devices
High-Frequency (13.56 MHz) Card and Fob*	Avigilon DESFire® EV3 Smart Card and Fob MIFARE Classic, DESFire, Ultralight (ISO14443A) CSN
Low-Frequency (125 kHz) Card and Fob	Avigilon Proximity Card and Fob HID® Proximity™, ProxCard®, LenelProx®

*The discontinued Avigilon MIFARE Classic 1K Fob, and Openpath EV1 and EV2 cards, are still compatible. The EV3-A card is still referred to as the Openpath DESFire EV3 Smart Card.

iOS is a trademark of Apple Inc. Android is a trademark of Google LLC.

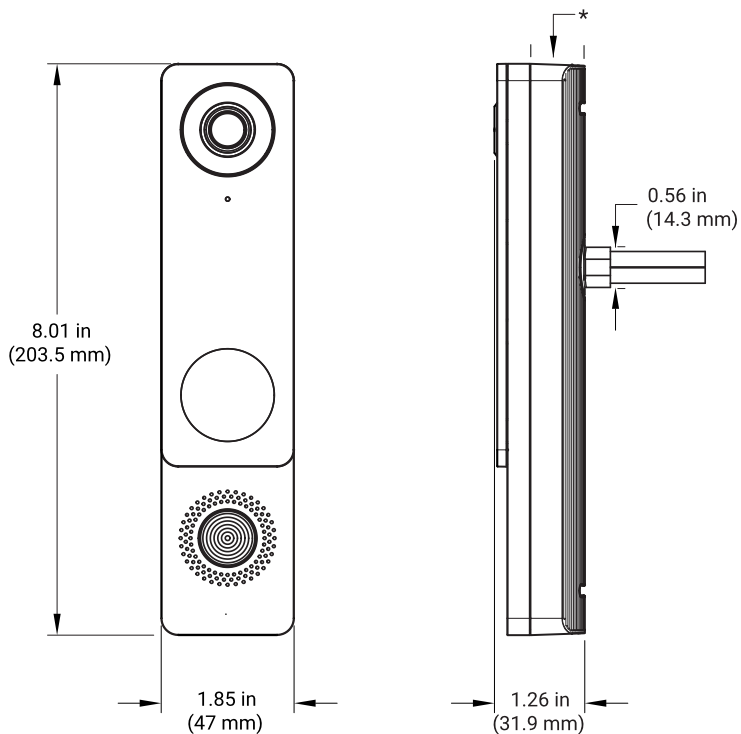
GENERAL

LED Indicators	Video Intercom Reader Pro power on or off, user access granted or denied, entry or door locked or unlocked, provisioning and connection status to access control system
Wiring	Ethernet for network connection Note: The Video Intercom Reader Pro does not require a controller to be wired, however, a Smart Hub is required to support locking hardware.
Tamper	Accelerometer sensor to detect tamper events
Power	802.3af/at PoE , 10.8W power consumption

DIMENSIONS

Device Only

With cradle bracket*

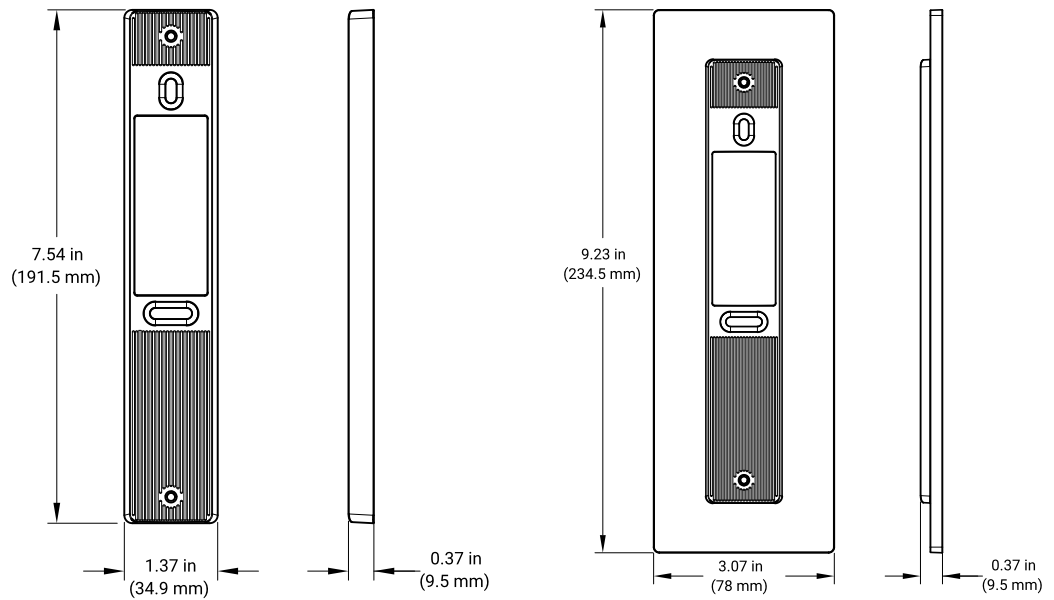


DIMENSIONS

Mounting Plate

Surface mount on wall

Standard mount on wall with US gang-box



Weight

0.85 lbs (384 g)

ENVIRONMENTAL

Temperature

Operating Temperature: -40°C (-40°F) to 50°C (122°F); Cold start -25°C (-13°F)

Storage Temperature: -40°C (-40°F) to 50°C (122°F)

Humidity

Operating Humidity: Up to 90% RH non-condensing

IP Rating

Indoor and outdoor IP65 (IEC 60529)

Operating temperature must not be exceeded.

REGULATORY

Certifications

FCC (United States), IC (Canada), CE (Europe), UKCA (United Kingdom), NOM (Mexico), RCM (Australia, New Zealand), BIS (India), ANATEL (Brazil), UL 294*, CAN/ULC 60839-11-1

*Performance Levels: Attack Level I, Endurance Level I, Line Security Level I, Standby Power Level I

Compliance

NDAA, TAA

WARRANTY

Avigilon Alta Access Warranty

Lifetime limited; for more information, visit avigilon.com/support/warranty



Ordering Information

PART NUMBER	DESCRIPTION
OP-VID-PRO-INT	Avigilon Video Intercom Reader Pro

Support

For product support, visit: [avigilon.com](https://www.avigilon.com) or sales@avigilon.com

To learn more, visit:

[avigilon.com/access-control/video-intercom-reader-pro](https://www.avigilon.com/access-control/video-intercom-reader-pro)



AVIGILON

Motorola Solutions, Inc. 500 West Monroe Street, Chicago, IL 60661 U.S.A. [motorolasolutions.com](https://www.motorolasolutions.com)

© 2024, Avigilon Corporation. All rights reserved. MOTOROLA, MOTO, MOTOROLA SOLUTIONS and the Stylized M Logo are trademarks or registered trademarks of Motorola Trademark Holdings, LLC and are used under license. All other trademarks are the property of their respective owners.

20240709-en